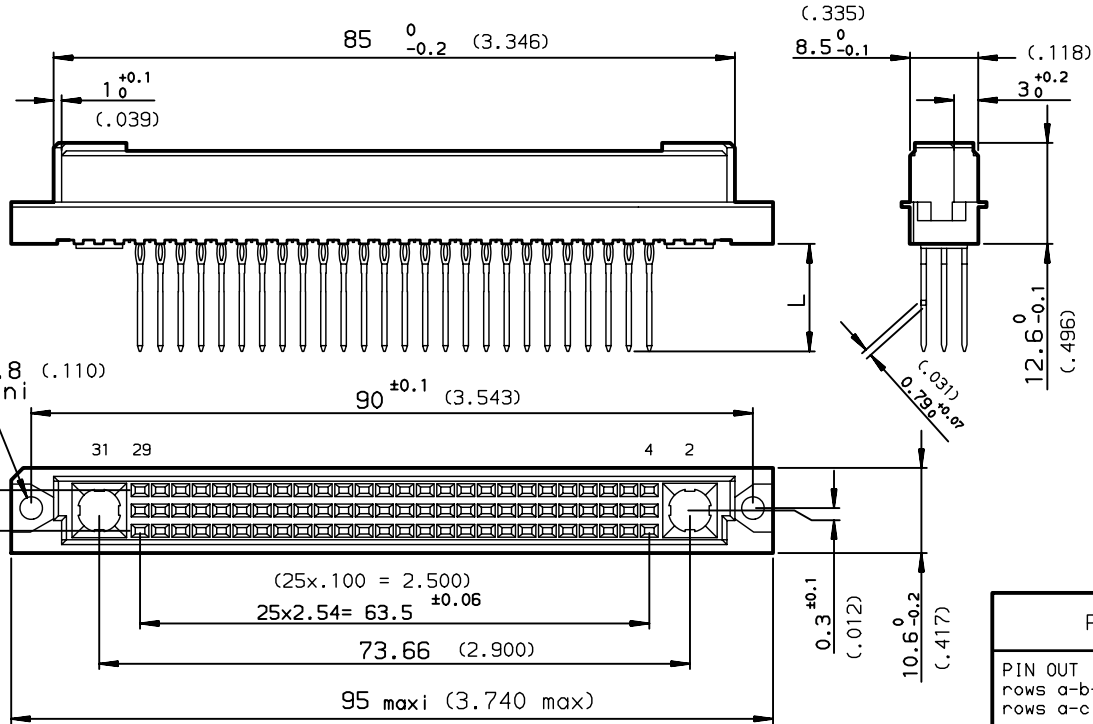
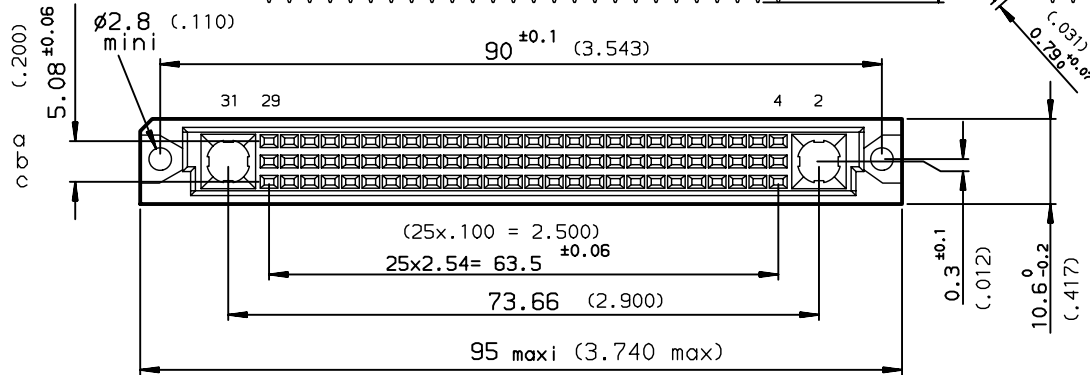
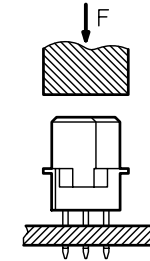


DIMENSIONS mm (inches)



METHOD OF INSERTION
ON THE PCB = FLAT ROCK



PCB DRILLING
component side

PERFORMANCES AS PER DIN 41612

PART NUMBER	8609		B1	7	5	
PIN OUT						
rows a-b-c			3	78		
rows a-c			4	52		
NUMBER OF CONTACTS						
TERMINATION						
L = 13.10 ±0.20 (.515)		1 wrap			91	
L = 17.10 ±0.20 (.673)		2 wraps			92	
L = 3.00 ±0.20 (.118)		short post			94	
PERFORMANCE CLASS						
DIN 41612 class 3						4
DIN 41612 class 2						5
DIN 41612 class 1						6
TERMINATION TYPE						
TIN LEAD						000E3
LEAD FREE						E3LF

GENERAL CHARACTERISTICS AND ROHS INFORMATIONS:

SEE DRAWING C-8609-0000C

European Views

www.fciconnect.com		surface ISO 1302	<input checked="" type="checkbox"/>	tolerance std ISO 406 ISO 1101	projection 	mm
TOLERANCES UNLESS OTHERWISE SPECIFIED						
Dr	ROUILLARD	1997/01/27	ANGULAR	0.X	±0.1	size
Eng	TARON	1997/01/27	LINEAR	0.XX	±0.1	A3
Chr	LEGARE	1997/01/27	0.XX' ±2'	0.XXX	±0.1	Scale 1.5
Appr	LEGARE	1997/01/27	Product family	DIN 8609		ECN LS06-0095
			Spec ref		-	
		title STRAIGHT FEMALE - STYLE M			Rev. D	
		catalog no			C-8609-0555	
		CUSTOMER			sheet 1 of 1	

rev	ecn no	dr	date
B	-	ROU	1997/11/05
C	LS05-004	JTA	2005/02/28
D	LS06-0095	LGO	2006/07/12
-	-	-	-
-	-	-	-
-	-	-	-

Copyright FCI.